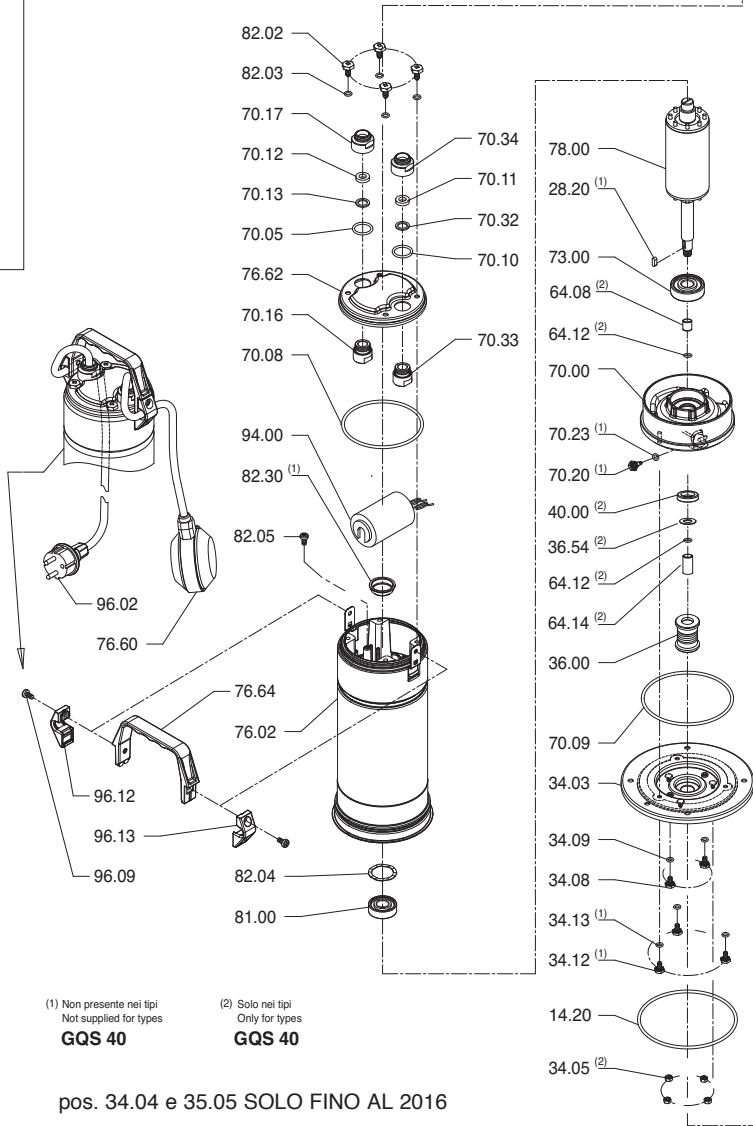


Service kit

Pos	Qtà
12.50	1
12.60	1
14.20	1
14.64	1
28.04	1
36.00	1
40.00	1
64.08	1
64.12	2
70.05	1
70.08	1
70.10	1
70.11	1
70.12	1
73.00	1
73.08	1
76.02	1
76.60	1
76.68	1
81.00	1
94.00	1



(1) Non presente nei tipi
Not supplied for types

QGS 40

(2) Solo nei tipi
Only for types

QGS 40

pos. 34.04 e 35.05 SOLO FINO AL 2016

